

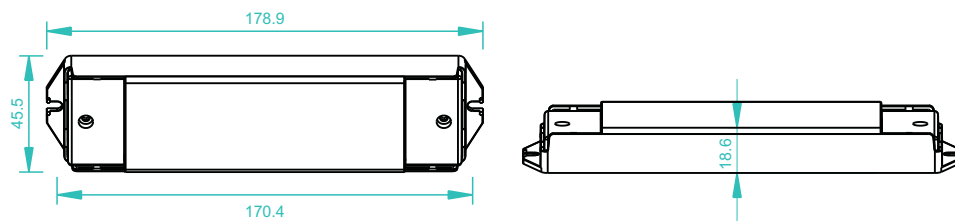
Algemeen

- Werkt met vrijwel alle DALI systemen
- Met de hand of automatisch DA DALI adressen instellen
- Geeft digitaal DALI adres
- Vier kanalen met hetzelfde adres

Specificaties

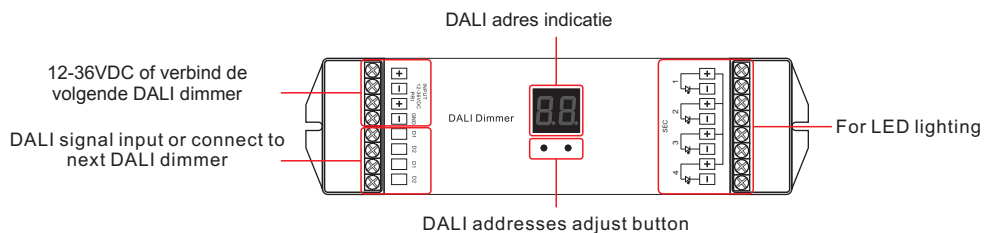
Art.Nr.	Input Voltage	Current	Output	Remarks
860430	12-36VDC	4x8A	4x(96-288)W	Constate spanning
860440	12-36VDC	4x350mA	4x(4.2-12.6)W	Constate stroom
860442	12-36VDC	4x700mA	4x(8.4-25.2)W	Constate stroom

Afmetingen



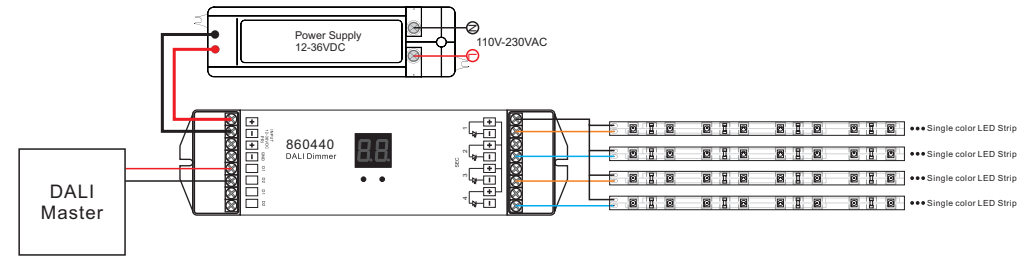
860440/860442

Omschrijving aansluitingen

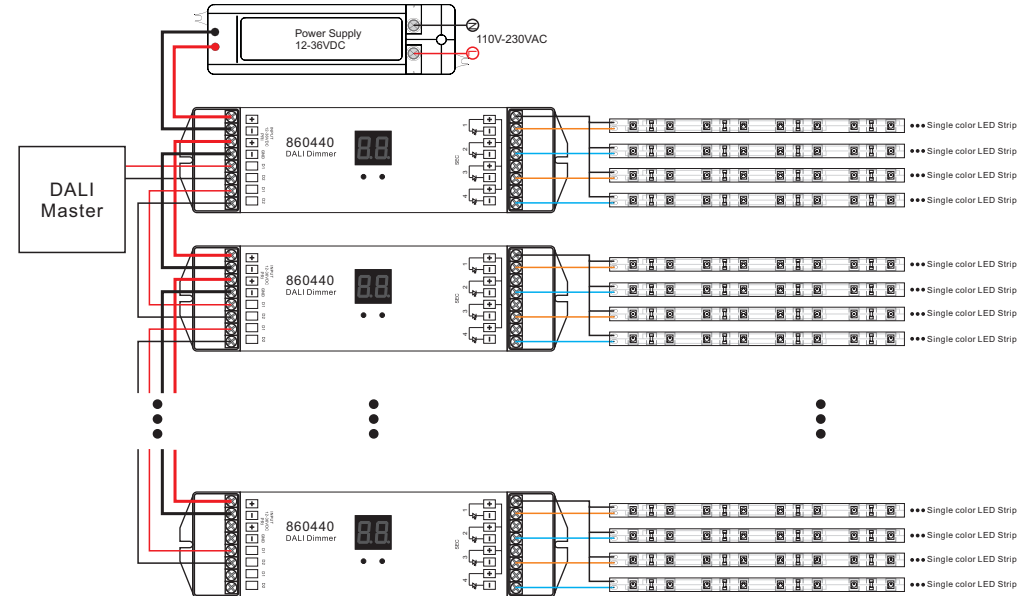


Wiring diagram

1) Connection Diagram for Single Unit



2) Connection Diagram for Multiple Units



Operation

Setting DALI address

a. Manual: Long press any button---digital address will flicker---short press button to set address we want---long press any button to confirm.

b. DALI master setting: 860430 Series can also be setting address by all DALI master which possesses this function. The specific operation can refer to DALI master manual.

c. Once an address is selected, all four channels address will be same. For example, if the decoder is addressed to 22 on the display then CH1 – 22, CH2 – 22, CH3 – 22, CH4 – 22.

Safety & Warnings

- 1) The product shall be installed and serviced by a qualified person.
- 2) IP20. Please avoid the sun and rain. When installed outdoors, please ensure it is mounted in a water proof enclosure.
- 3) Always be sure to mount this unit in an area with proper ventilation to avoid overheating.

4) Please check if the output voltage of any LED power supplies used comply with the working voltage of the product.

5) Never connect any cables while power is on and always assure correct connections to avoid short circuits before switching on.

6) Please ensure that the cable is secured tightly in the connector

7) For update information please consult your supplier.

Warranty Agreement

1) We provide lifelong technical assistance with this product:

- 3-year warranty. We print date on every products, for example :1125 means year 2011, week 25. The warranty is for free repair or replacement and covers manufacturing faults only.

- For faults beyond the 3-year warranty we reserve the right to charge for time and parts.

2) Limited Warrenty

- Any defects caused by wrong operation.

- Any damages caused by unauthorized removal, maintenance, modifying, incorrect connection and replacement of chips.

- Any damages due to transportation, vibration etc. after purchase.

- Any damages caused by earthquake, fire, lightning, pollution and abnormal voltage.

- Any damages caused by negligence, inappropriate storing at high temperatures and humidity or near harmful chemicals.

- Product has been updated

3) Repair or replacement as provided under this warranty is the exclusive remedy to the customer.